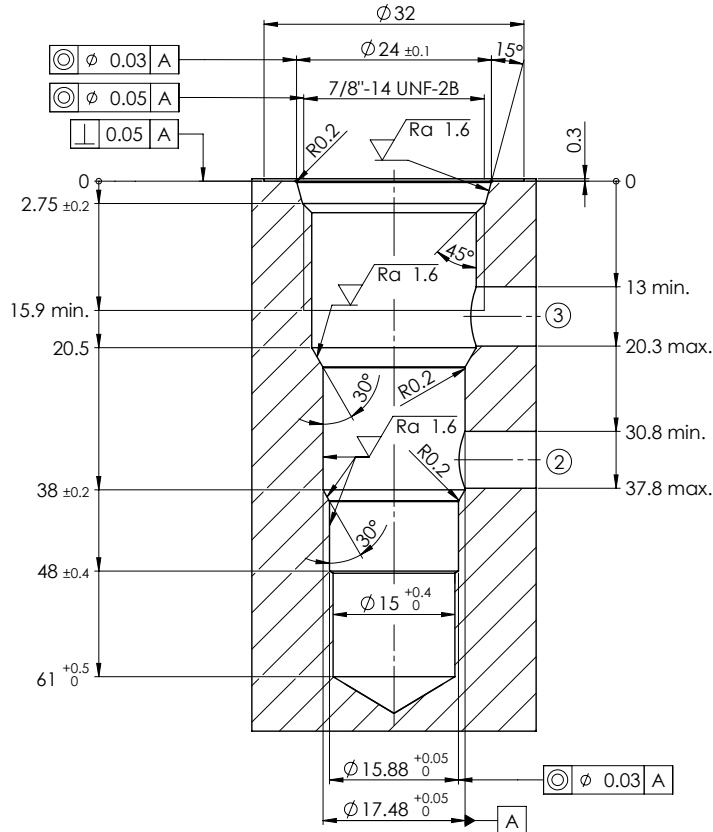


Cartridge cavity 7/8 " - 14 UNF - 2B



2-way-cavity for QSPPU10

(Drawing-no. 1-1391.4)

Edges according to ISO 13715 	Surface texture 	Length dimensions, curves, chamfers Angles Straightness, flatness Perpendicularity, symmetry Radial runout, axial runout Envelope condition acc. to ISO 14405 ©	Extract general tolerances ISO-2768-1					
			General tolerances ISO 2768	m m H H H	Nominal dim. >0,5-3	>3-6	>6-30	>30-120
			Linear dim.	±0.1	±0.1	±0.2	±0.3	
			Radiuses, chamfer height	±0.2	±0.5	±1		

Cavity tools

Denomination: Article number: Content: Article number:

Application

Cartridge type: Data sheet number: Cartridge type: Data sheet number:
 QSPPU10 2.6-638