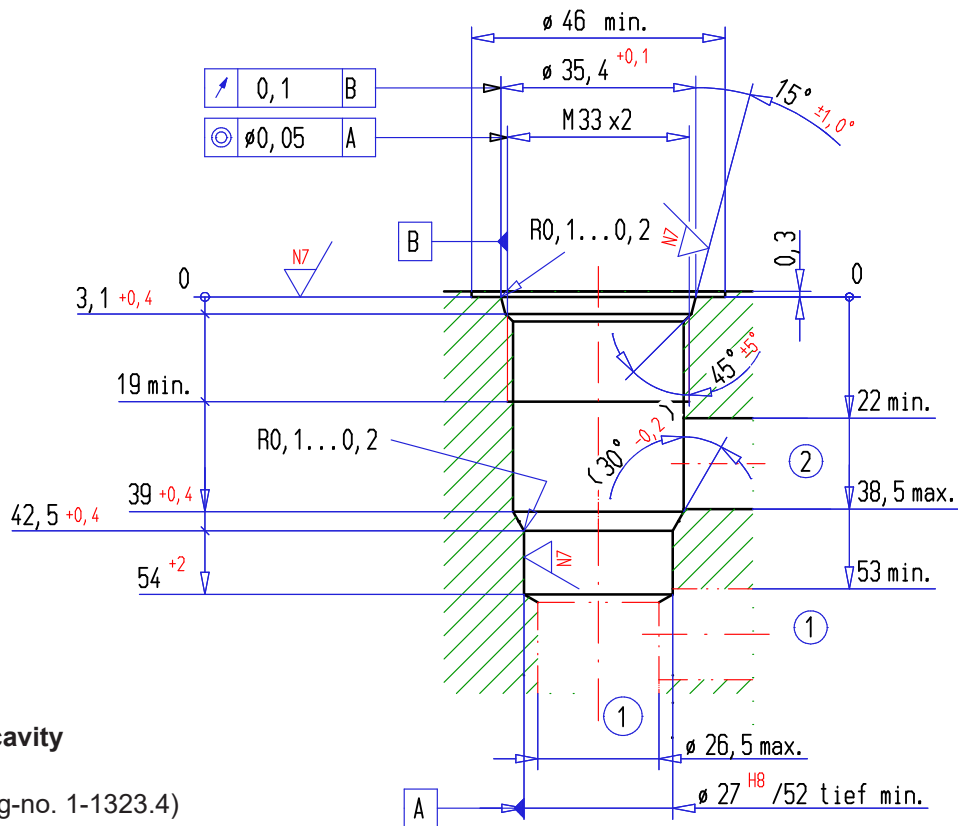
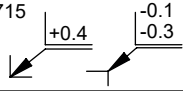
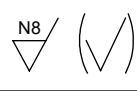


**Cartridge cavity ISO 7789-33-02-0-98**

**2-way-cavity**

(Drawing-no. 1-1323.4)

Edges according to ISO 13715 	Surface texture 	General tolerances ISO 2768 Length dimensions, curves, chamfers Angles Straightness, flatness Perpendicularity, symmetry Radial runout, axial runout Envelope condition acc. to ISO 14405 ©	Extract general tolerances ISO-2768-1			
			m m H H H	Nominal dim. Linear dim. Radiuses, chamfer height	>0,5-3 ±0.1 ±0.2	>3-6 ±0.1 ±0.5

**Cavity tools**

<b>Denomination:</b>	<b>Article number:</b>	<b>Content:</b>	<b>Article number:</b>
Tool kit 2-way M33 x 2	983.0807	Form drill Form reamer Tap	983.0107 983.0207 983.0602

**Application**

<b>Cartridge type:</b>	<b>Data sheet number:</b>	<b>Cartridge type:</b>	<b>Data sheet number:</b>
BV.PM33	2.1-550		
BVPPM33-...	2.3-551		
BVVPM33-...	2.3-552		
BVPPM33-../ME	2.3-553		