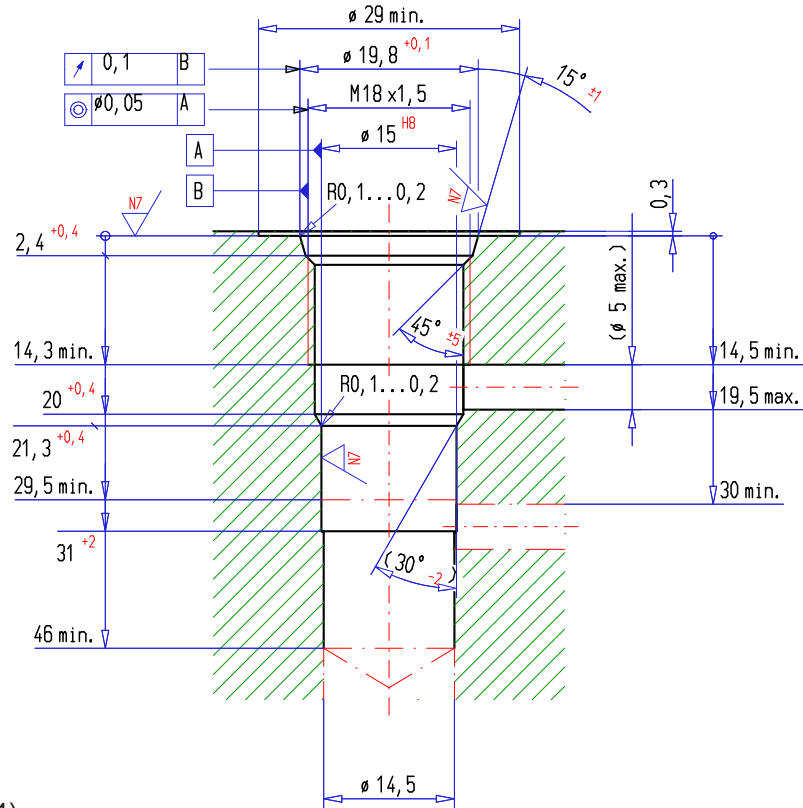
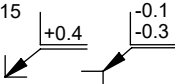
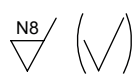


**Cartridge cavity Wandfluh standard**

**2-way-cavity**

(Drawing-no. 1-1311.4)

Edges according to ISO 13715 	Surface texture 	Length dimensions, curves, chamfers Angles Straightness, flatness Perpendicularity, symmetry Radial runout, axial runout Envelope condition acc. to ISO 14405 ©	m m H H H	Extract general tolerances ISO-2768-1				
				General tolerances ISO 2768	Nominal dim.	>0,5-3	>3-6	>6-30
				Linear dim.	$\pm 0.1$	$\pm 0.1$	$\pm 0.2$	$\pm 0.3$
				Radiuses, chamfer height	$\pm 0.2$	$\pm 0.5$	$\pm 1$	

**Cavity tools**
**Denomination:**                      **Article number:**                      **Content:**                      **Article number:**
**Application**
**Cartridge type:**                      **Data sheet number:**                      **Cartridge type:**                      **Data sheet number:**  
 QZPPM18-...                      2.6-610