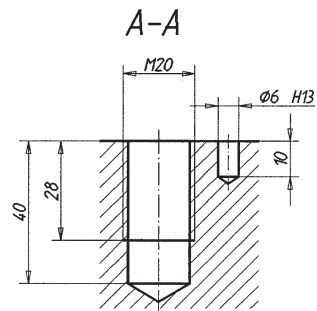
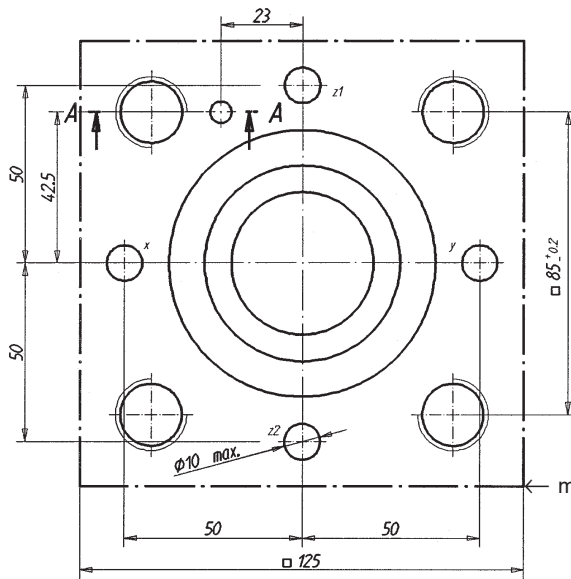
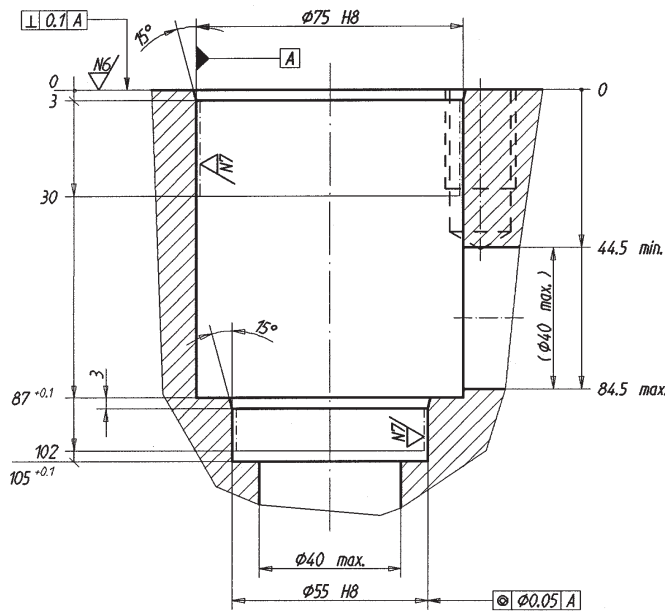


Cartridge cavity CS40, CM40, CD40



min. mounting surface for lid

(Drawing no. 8-004.4)

Application

Cartridge type:

C.40-...

Data sheet number:

1.12-240

Cartridge type:

Data sheet number: