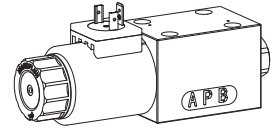


Solenoid operated spool valve
Flange construction

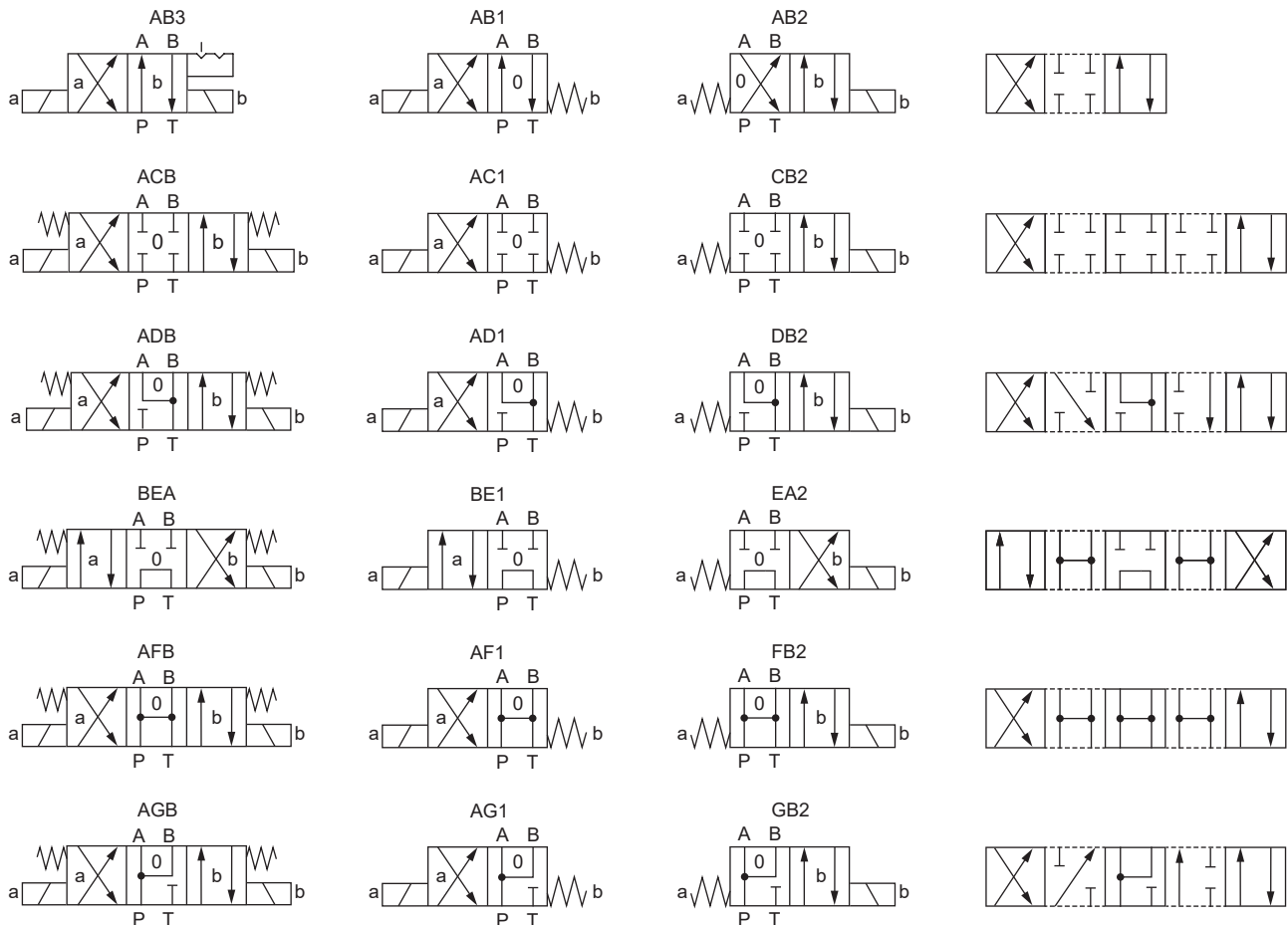
- ◆ 4/2-way impulse execution, detented
- ◆ 4/3-way with spring centred mid position
- ◆ 4/2-way with spring reset
- ◆ $Q_{max} = 80 \text{ l/min}$
- ◆ $p_{max} = 350 \text{ bar}$

NG6
ISO 4401-03

DESCRIPTION

Direct operated solenoid spool valve with 4 connections in 5 chamber design. Spool detented or with spring reset. With the solenoids de-energised, the spool is held in the center position by the spring (4/3), or switched back to the offset position (4/2). With the impulse spool (4/2), the spool is held in the switching position by the detent. Precise spool fit, low leakage, long service life time. Spool made from hardened steel, valve body from high quality hydraulic cast steel. Wide range of standard and special voltages.

APPLICATION

Spool valves are mainly used for controlling direction of movement and stopping of hydraulic cylinders and motors. Switching performance and leakage of the valves must be taken into account when designing the system. Solenoid spool valves are suitable for machine tools and handling systems of any kind.

SYMBOL


TYPE CODE

		WD M F A06 - <input type="text"/> - <input type="text"/> / <input type="text"/> <input type="text"/> - <input type="text"/> <input type="text"/> <input type="text"/> # <input type="text"/>									
Spool valve, direct operated											
Slip-on coil, Medium											
Flange construction											
International standard interface ISO, NG6											
Designation of symbols acc. to table											
Nominal voltage U_N	12 VDC	<input type="text" value="G12"/>	115 VAC	<input type="text" value="R115"/>							
	24 VDC	<input type="text" value="G24"/>	230 VAC	<input type="text" value="R230"/>							
	without coil	<input type="text" value="X5"/>									
Slip-on coil	Metal housing, round				<input type="text" value="W"/>						
	Metal housing, square				<input type="text" value="M"/>						
Connection execution	Connector socket EN 175301-803 / ISO 4400				<input type="text" value="D"/>						
	Connector socket AMP Junior-Timer				<input type="text" value="J"/>	(only for $U_N \leq 75$ VDC)					
	Connector Deutsch DT04 - 2P				<input type="text" value="G"/>	(only for $U_N \leq 75$ VDC)					
Sealing material	NBR				<input type="text"/>						
	FKM (Viton)				<input type="text" value="D1"/>						
Manual override	Integrated				<input type="text"/>						
	Push-button				<input type="text" value="HF1"/>						
	Spindle				<input type="text" value="HS1"/>						
Surface protection	Standard				<input type="text"/>						
	Zinc-nickel				<input type="text" value="K8"/>						

Design index (subject to change)

1.2-59

GENERAL SPECIFICATIONS

Designation	4/2-, 4/3-spool valve
Construction	Direct operated
Mounting	Flange construction
Nominal size	NG6 according to ISO 4401-03
Actuation	Switching solenoid
Ambient temperature	-25...+70 °C if > +50 °C, then no undervoltage is admissible
Weight	1,53 kg (1 solenoid Economy) 2,07 kg (2 solenoids Economy)
MTTFd	150 years

ACCESSORIES

Mating connector grey (A)	Article no. 219.2001
Mating connector black (B)	Article no. 219.2002
Mounting screws	Data sheet 1.0-60
Threaded subplates	Data sheet 2.9-30
Multi-station subplates	Data sheet 2.9-60
Horizontal mounting blocks	Data sheet 2.9-100
Technical explanations	Data sheet 1.0-100
Filtration	Data sheet 1.0-50
Relative duty factor	Data sheet 1.1-430

INSTALLATION NOTES

Mounting type	Flange mounting 4 fixing holes for socket head screws M5 x 50
Mounting position	Any, preferably horizontal
Tightening torque	Fixing screws $M_D = 5,2$ Nm (screw quality 8.8, zinc coated) $M_D = 5$ Nm knurled nut

ACTUATION

Actuation	Switching solenoid, wet pin push type, pressure tight
Execution	W.E45 / 23 x 50 (Data sheet 1.1-182) M.S45 / 23 x 50 (Data sheet 1.1-181)
Connection	Connector socket EN 175301 – 803 Connector socket AMP Junior-Timer Connector Deutsch DT04 – 2P

Note!


The length of the fixing screw depends on the base material of the connection element.

ELECTRICAL SPECIFICATIONS

Protection class	Connection execution D: IP65 Connection execution J: IP66 Connection execution G: IP67 and IP69K
Relative duty factor	100 % DF
Switching frequency	15'000 / h
Service life time	10 ⁷ (number of switching cycles, theoretically)
Voltage tolerance	± 10 % with regard to nominal voltage
Standard nominal voltage	12 VDC, 24VDC, 115 VAC, 230 VAC AC = 50 to 60 Hz, rectifier integrated in the connector socket

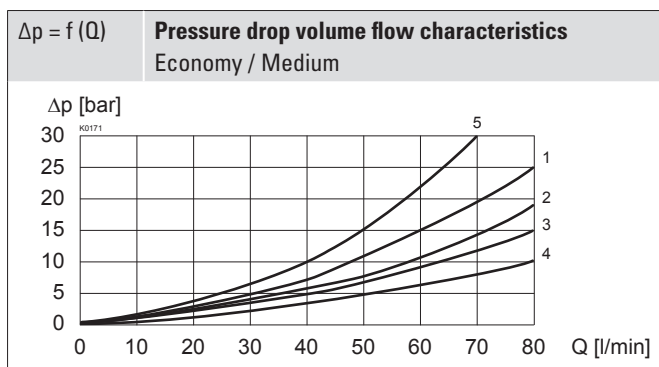
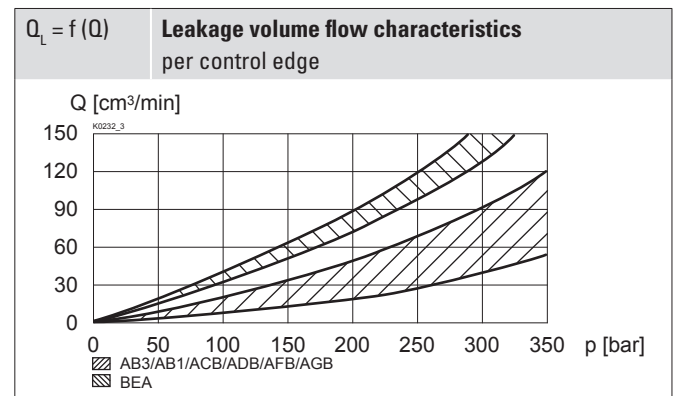
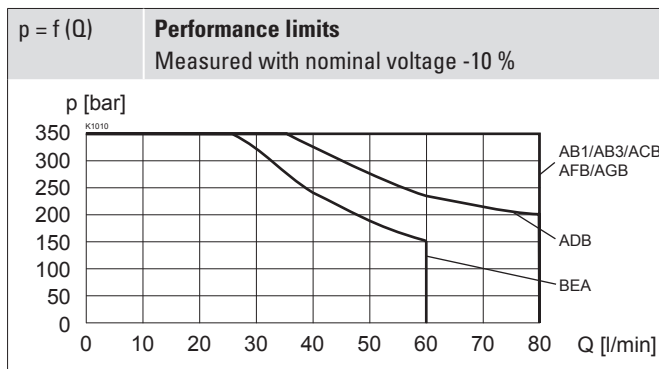
Note! Other electrical specifications see data sheet 1.1-182 (slip-on coil W) and 1.1-181 (slip-on coil M)


HYDRAULIC SPECIFICATIONS

Working pressure	$p_{max} = 350$ bar
Tank pressure	$p_{Tmax} = 200$ bar
Maximum volume flow	$Q_{max} = 80$ l/min, see characteristics
Leakage oil	See characteristics
Fluid	Mineral oil, other fluid on request
Viscosity range	12 mm ² /s...320 mm ² /s
Temperature range fluid	-25...+70 °C (NBR) -20...+70 °C (FKM)
Contamination efficiency	Class 20 / 18 / 14
Filtration	Required filtration grade $\beta_{10...16} \geq 75$, see data sheet 1.0-50

PERFORMANCE SPECIFICATIONS

Oil viscosity $\nu = 30$ mm²/s



Symbol	Volume flow direction				
	P - A	P - B	P - T	A - T	B - T
AB1 / AB2 / AB3	2	2	-	1	1
ACB / AC1 / CB2	2	2	-	1	1
ADB / AD1 / DB2	2	2	-	3	3
BEA / BE1 / EA2	2	2	5	2	2
AFB / AF1 / FB2	4	4	-	3	3
AGB / AG1 / GB2	4	4	-	1	1

STANDARDS

Mounting interface	ISO 4401-03
Solenoids	DIN VDE 0580
Connection execution D	EN 175301 - 803
Protection class	EN 60 529
Contamination efficiency	ISO 4406

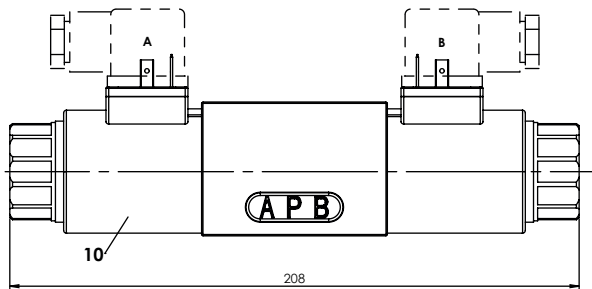
SEALING MATERIAL

NBR or FKM (Viton) as standard, choice in the type code

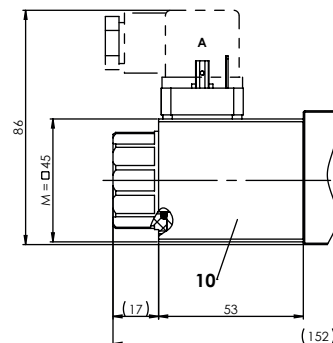
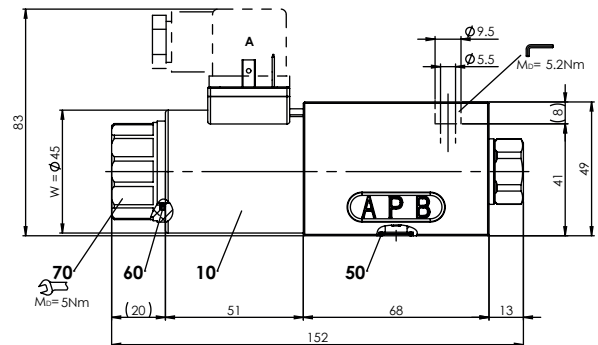
DIMENSIONS

4/3-way valve (spring centred)

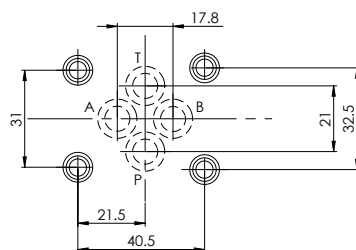
4/2-way valve (impulse)



4/2-way valve (spring reset)



HYDRAULIC CONNECTION



PARTS LIST

Position	Article	Description
10	206.1...	W.E45 / 23 x 50
	206.7...	M.S45 / 23 x 50
70	154.2701	Knurled nut M23 x 1,5 x 19,7
80	253.7004	HF1-M23
90	253.7002	HS1-M23
	251.2220	Seal kit WD.FA06
	251.2222	Seal kit WD.FA06-D1

Seal kit consisting of:

50	O-ring	ID 9,25 x 1,78
60	O-ring	ID 22,22 x 2,62

MANUAL OVERRIDE

- ◆ Integrated (-) Actuation pin integrated in the armature tube. Actuation by pressing the pin
- ◆ Push-button (HF1) Integrated in the knurled nut. Actuation by pressing the push-button
- ◆ Spindle (HS1) Integrated in the knurled nut. Actuation by turning the spindle (continuously variable valve actuation)

Attention! The actuation of the manual override is possible up to a tank pressure of:



- 40 bar Integrated (-)
- 40 bar Push-button (HF1)
- 100 bar Spindle (HS1)

SURFACE TREATMENT

Standard:

-The valve body, the armature tube, the slip-on coil and the plug screw are zinc-nickel coated

Optional (K8):

-All external parts are zinc-nickel coated
 ISO 9227 (800 h) salt spray test