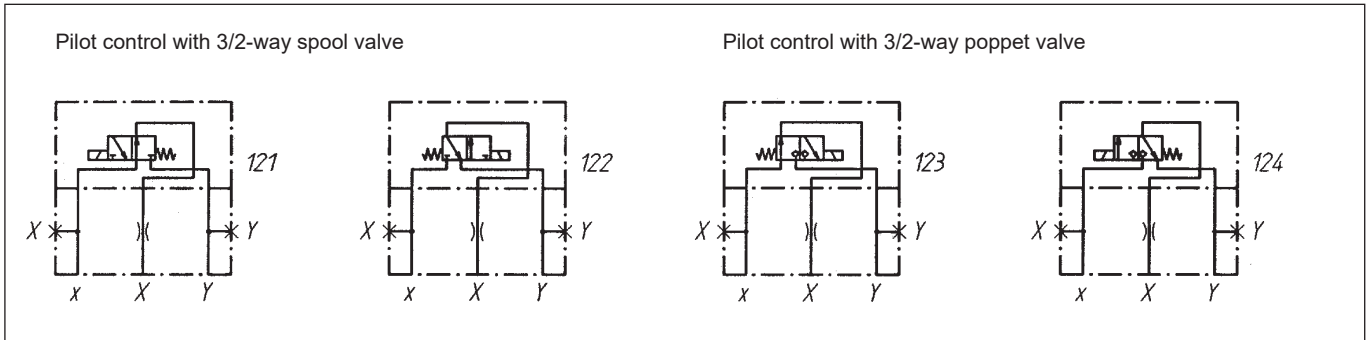
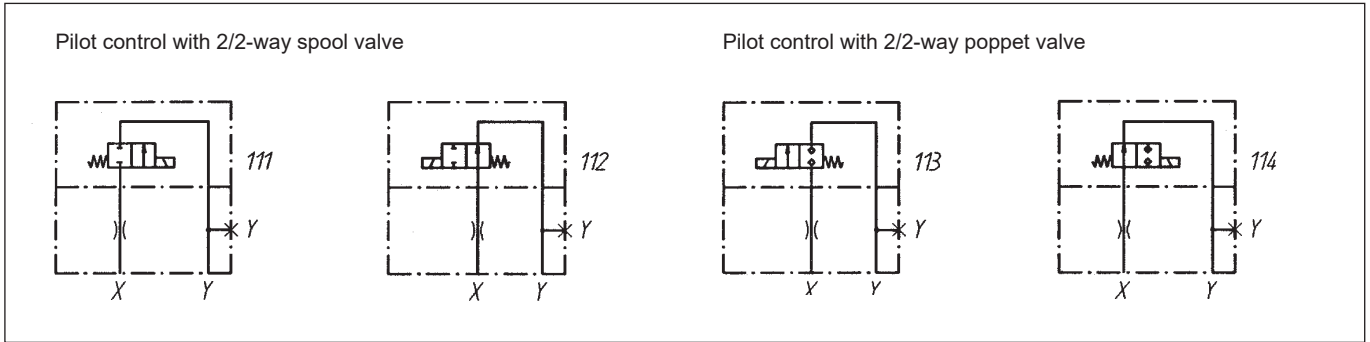


Control cover
 for directional function
 • $p_{max} = 350 \text{ bar}$

NG 40
 ISO 7368



TYPE CODE

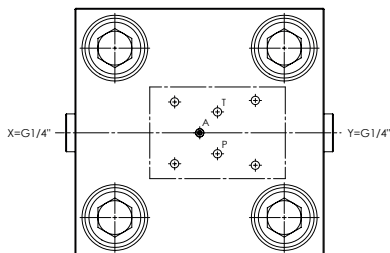
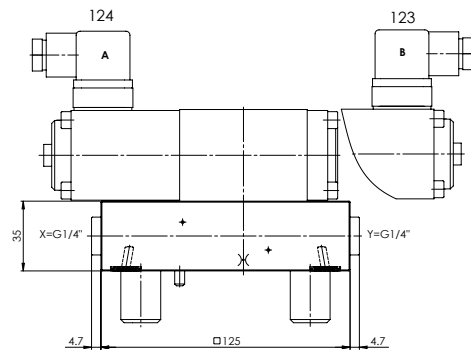
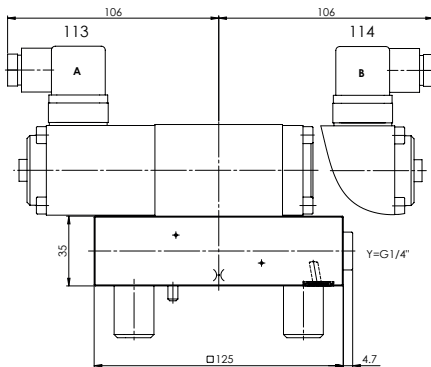
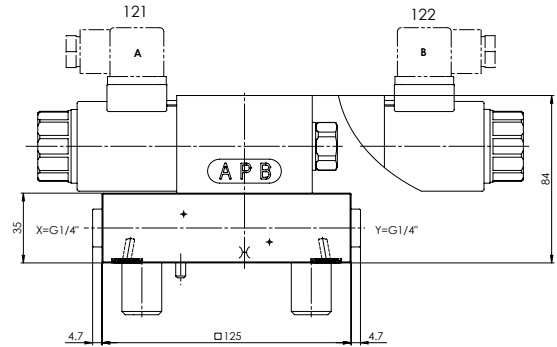
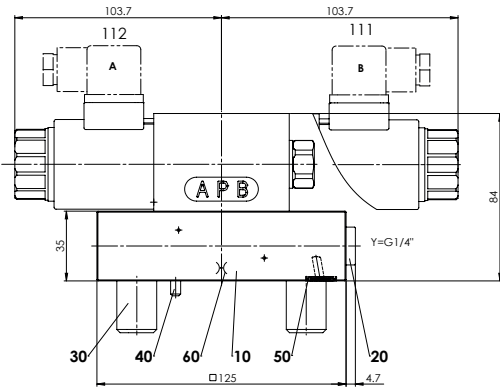
Control cover				D	40	<input type="text"/>	-	<input type="text"/>	/	<input type="text"/>	#	<input type="text"/>
Size 40												
Pilot no. 111...124												
Solenoid type for pilot valve												
Standard	111, 112, 121, 122					<input type="checkbox"/>	M	..	/	WD		
	113, 114, 123, 124					<input type="checkbox"/>	S					
Nominal voltage U_N	12 VDC	<input type="checkbox"/>	G12			115 VAC	<input type="checkbox"/>	R115				
	24 VDC	<input type="checkbox"/>	G24			230 VAC	<input type="checkbox"/>	R230				
Orifice in cover	0.8 mm	<input type="checkbox"/>	0.8			1.0 mm	<input type="checkbox"/>	1.0		etc.		
Omit if without orifice												
Design-Index (Subject to change)												

GENERAL SPECIFICATIONS

Construction	Control cover for directional function
Mounting position	any
Installation dimension	see dimension to ISO 7368
Ambient temperature	-25...+70 °C
Fastening torque	M _D = 370 Nm (Qual. 8.8) for fixing screw

HYDRAULIC SPECIFICATIONS

Fluid	Mineral oil, other fluid on request
Contamination efficiency	ISO 4406:1999, class 18/16/13 (Required filtration grade β ₆ ...10 ≥ 75) see data sheet no. 1.0-50/2
Viscosity range	12 mm ² /s to 320 mm ² /s
Fluid temperature	-20...+70 °C
Operation pressure	p _{max} = 350 bar

DIMENSIONS

PARTS LIST

Position	Article	Description
10	063.3018	Plate to 111, 112, 113, 114
	063.3015	Plate to other types
20	238.2406	Locking screw VSTI G1/4"
30	246.8140	Cylinder screw M20x40 DIN912
40	221.2470	Pin Ø5x16 DIN1481
50	160.2107	O-Ring ID 10,77x2,62
60	118.2032	Orifice M5 / 0,8 x 5
	118.2052	Orifice M5 / 0,9 x 5
	118.2031	Orifice M5 / 1,0 x 5
	118.2058	Orifice M5 / 1,2 x 5
	118.2072	Orifice M5 / 1,5 x 5

PILOT OPERATED VALVES

Pilot operated valves:	111, 122	WDMFA06-AB2	Data sheet 1.2-59
	112, 121	WDMFA06-AB1	Data sheet 1.2-59
	113	AS22061a	Data sheet 1.11-2140
	114	AS22060b	Data sheet 1.11-2140
	123	AS32060b	Data sheet 1.11-2140
	124	AS32061a	Data sheet 1.11-2140