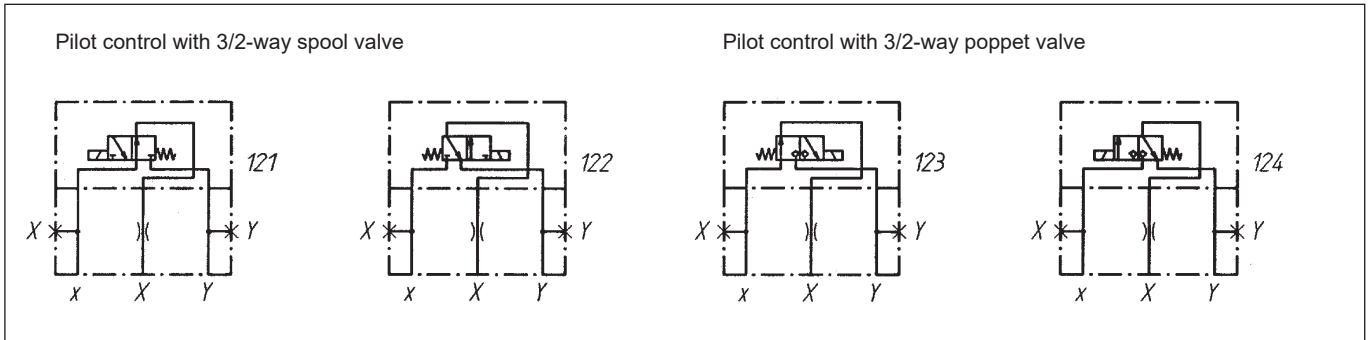
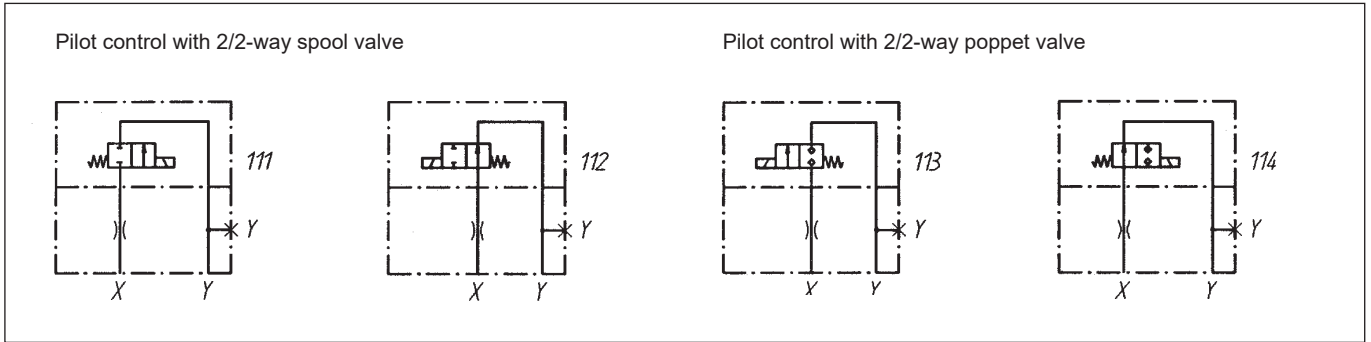


**Control cover  
for directional function**  
•  $p_{max} = 350 \text{ bar}$

**NG 32**  
ISO 7368



**TYPE CODE**

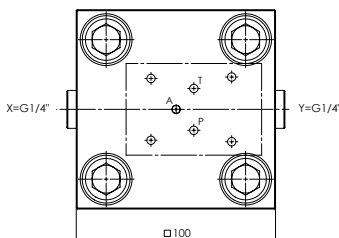
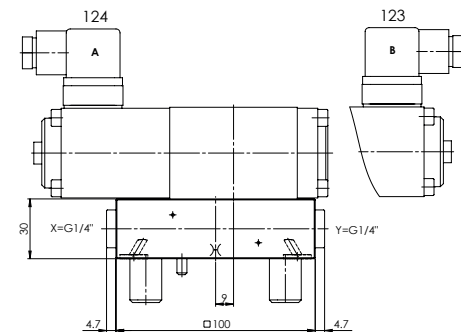
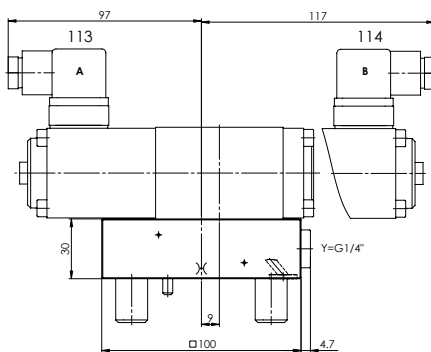
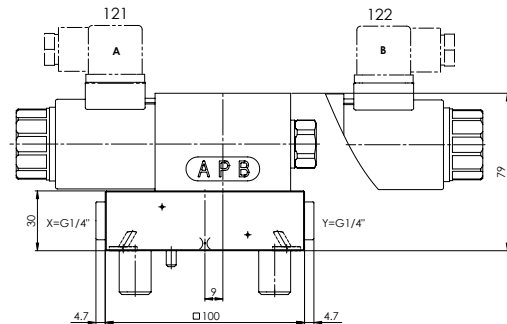
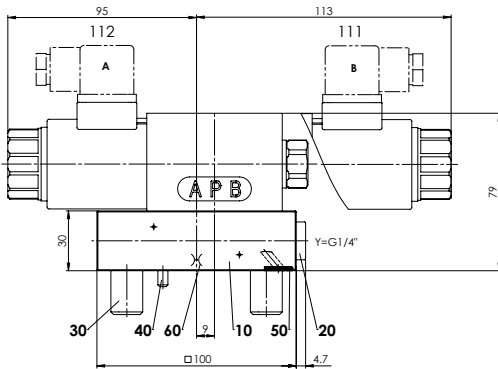
Control cover			D	32	<input type="checkbox"/>	-	<input type="checkbox"/>	<input type="checkbox"/>	/	<input type="checkbox"/>	#	<input type="checkbox"/>	
Size 32													
Pilot no. 111...124													
Solenoid type for pilot valve													
Standard	111, 112, 121, 122	<input type="checkbox"/> M	..	/	WD								
	113, 114, 123, 124	<input type="checkbox"/> S											
Nominal voltage $U_N$	12 VDC	<input type="checkbox"/> G12					115 VAC	<input type="checkbox"/> R115					
	24 VDC	<input type="checkbox"/> G24					230 VAC	<input type="checkbox"/> R230					
Orifice in cover	0.8 mm	<input type="checkbox"/> 0.8											
	1.0 mm	<input type="checkbox"/> 1.0	etc.										
Omit if without orifice													
Design-Index (Subject to change)													

**GENERAL SPECIFICATIONS**

Construction	Control cover for directional function
Mounting position	any
Installation dimension	see dimension to ISO 7368
Ambient temperature	-25...+70 °C
Fastening torque	$M_D = 190 \text{ Nm}$ (Qual. 8.8) for fixing screw

**HYDRAULIC SPECIFICATIONS**

Fluid	Mineral oil, other fluid on request
Contamination efficiency	ISO 4406:1999, class 18/16/13 (Required filtration grade $\beta_{6...10} \geq 75$ ) see data sheet no. 1.0-50/2
Viscosity range	12 mm <sup>2</sup> /s to 320 mm <sup>2</sup> /s
Fluid temperature	-20...+70 °C
Operation pressure	$p_{\text{max}} = 350 \text{ bar}$

**DIMENSIONS**

**PILOT OPERATED VALVES**

Pilot operated valves:	111, 122	WDMFA06-AB2	Data sheet 1.2-59
	112, 121	WDMFA06-AB1	Data sheet 1.2-59
	113	AS22061a	Data sheet 1.11-2140
	114	AS22060b	Data sheet 1.11-2140
	123	AS32060b	Data sheet 1.11-2140
	124	AS32061a	Data sheet 1.11-2140

**PARTS LIST**

Position	Article	Description
10	063.2030	Plate to 111, 112, 113, 114
	063.2017	Plate to other types
20	238.2406	Locking screw VSTI G1/4"
30	246.7135	Cylinder screw M16x35 DIN912
40	221.2470	Pin $\varnothing 5 \times 16$ DIN1481
50	160.2092	O-Ring ID 9,19x2,62
60	118.2032	Orifice M5 / 0,8 x 5
	118.2052	Orifice M5 / 0,9 x 5
	118.2031	Orifice M5 / 1,0 x 5
	118.2058	Orifice M5 / 1,2 x 5
	118.2072	Orifice M5 / 1,5 x 5