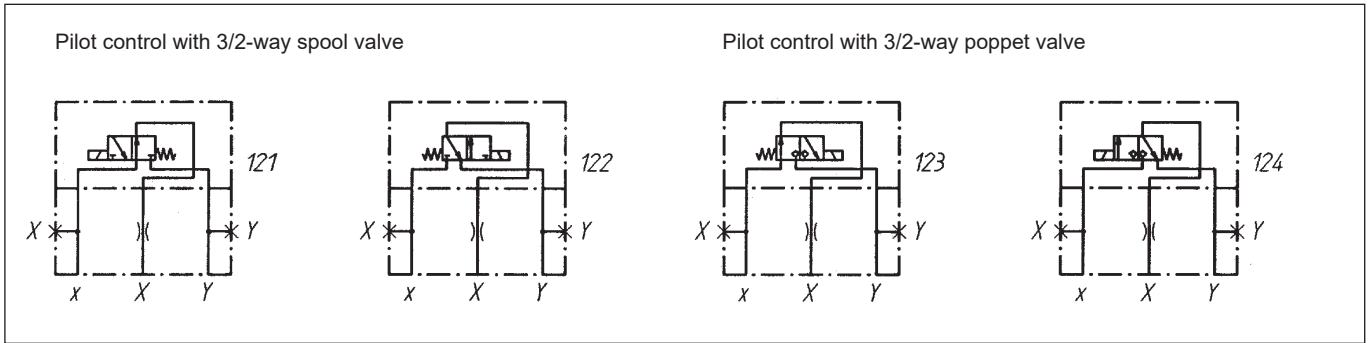
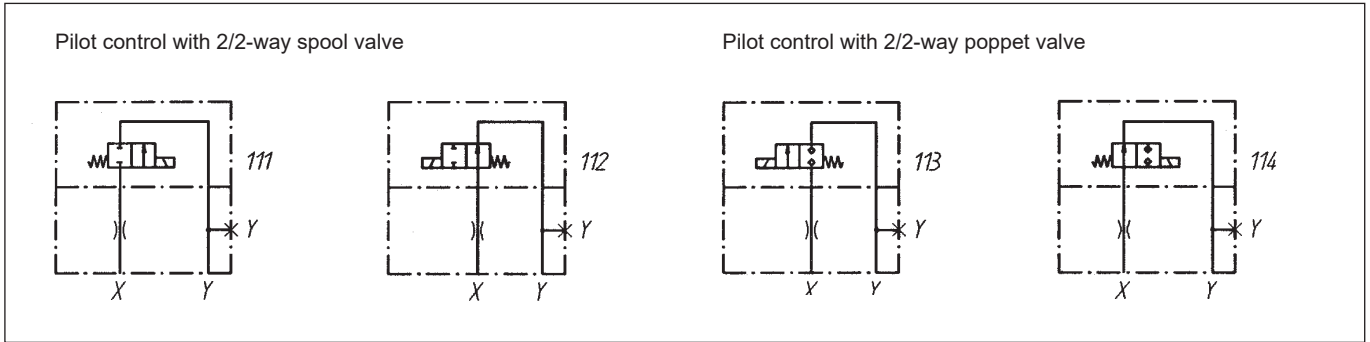


Control cover
 for directional function
 • $p_{max} = 350 \text{ bar}$

NG 25
 ISO 7368



TYPE CODE

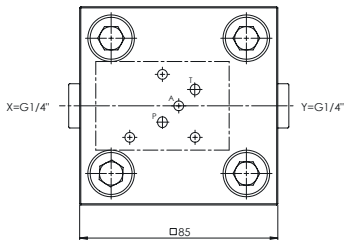
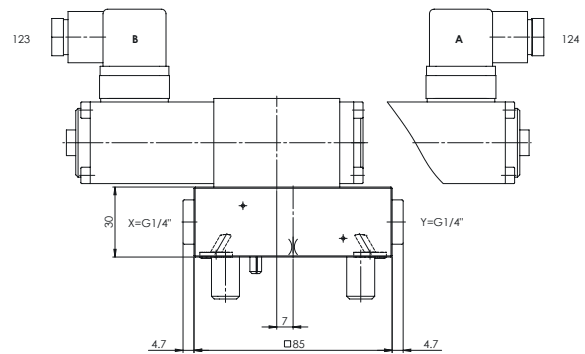
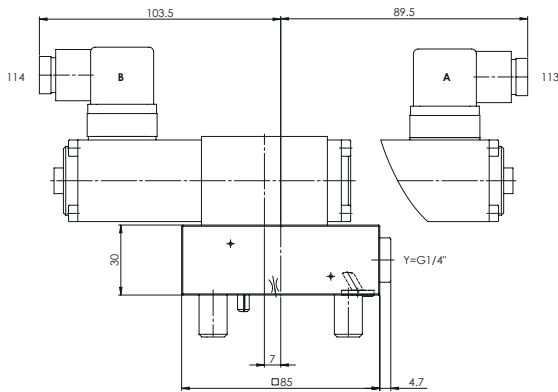
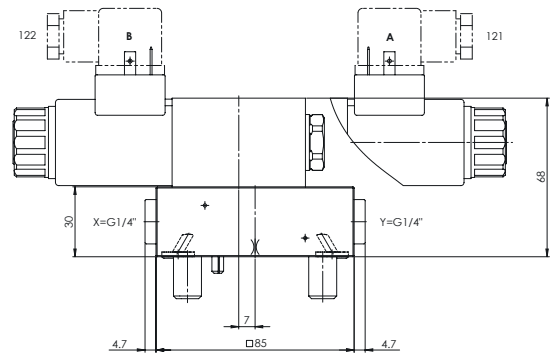
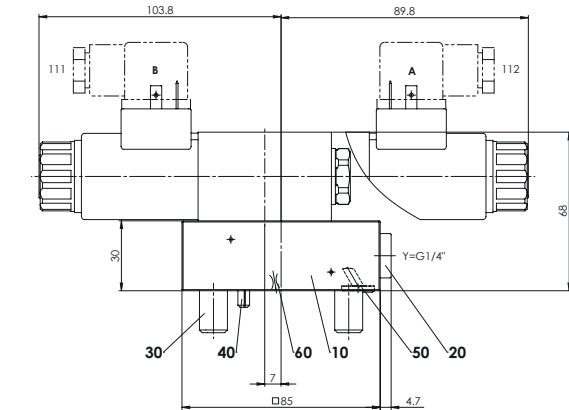
Control cover				D	25	<input type="checkbox"/>	-	<input type="checkbox"/>	/	<input type="checkbox"/>	#	<input type="checkbox"/>
Size 25												
Pilot no. 111...124												
Solenoid type for pilot valve												
Standard	111, 112, 121, 122			<input type="checkbox"/> M	.. / VD (only G12 and G24)							
	113, 114, 123, 124			<input type="checkbox"/> M	.. / ND							
				<input type="checkbox"/> S								
Nominal voltage U_N	12 VDC	<input type="checkbox"/> G12		115 VAC	<input type="checkbox"/> R115							
	24 VDC	<input type="checkbox"/> G24		230 VAC	<input type="checkbox"/> R230							
Orifice in cover	0.6 mm	<input type="checkbox"/> 0.6										
	1.0 mm	<input type="checkbox"/> 1.0	etc.									
Omit if without orifice												
Design-Index (Subject to change)												

GENERAL SPECIFICATIONS

Construction	Control cover for directional function
Mounting position	any
Installation dimension	see dimension to ISO 7368
Ambient temperature	-25...+70 °C
Fastening torque	M _D = 80 Nm (Qual. 8.8) for fixing screw

HYDRAULIC SPECIFICATIONS

Fluid	Mineral oil, other fluid on request
Contamination efficiency	ISO 4406:1999, class 18/16/13 (Required filtration grade β _{6...10} ≥ 75) see data sheet no. 1.0-50/2
Viscosity range	12 mm ² /s to 320 mm ² /s
Fluid temperature	-20...+70 °C
Operation pressure	p _{max} = 350 bar

DIMENSIONS

PARTS LIST

Position	Article	Description
10	063.1013	Plate to 111, 112, 113, 114
	063.1011	Plate to other types
20	238.2406	Locking screw VSTI G1/4"
30	246.6136	Cylinder screw M12x35 DIN912
40	221.2470	Pin Ø5x16 DIN1481
50	160.2092	O-Ring ID 9,19x2,62
60	118.2051	Orifice M5 / 0,6 x 5
	118.2030	Orifice M5 / 0,7 x 5
	118.2032	Orifice M5 / 0,8 x 5
	118.2052	Orifice M5 / 0,9 x 5
	118.2031	Orifice M5 / 1,0 x 5

PILOT OPERATED VALVES

Pilot operated valves:	111, 122	WDMFA04-AB2	Data sheet 1.2-33
	112, 121	WDMFA04-AB1	Data sheet 1.2-33
	113	BS22041a	Data sheet 1.11-2120
	114	BS22040b	Data sheet 1.11-2120
	123	BS32040b	Data sheet 1.11-2120
	124	BS32041a	Data sheet 1.11-2120